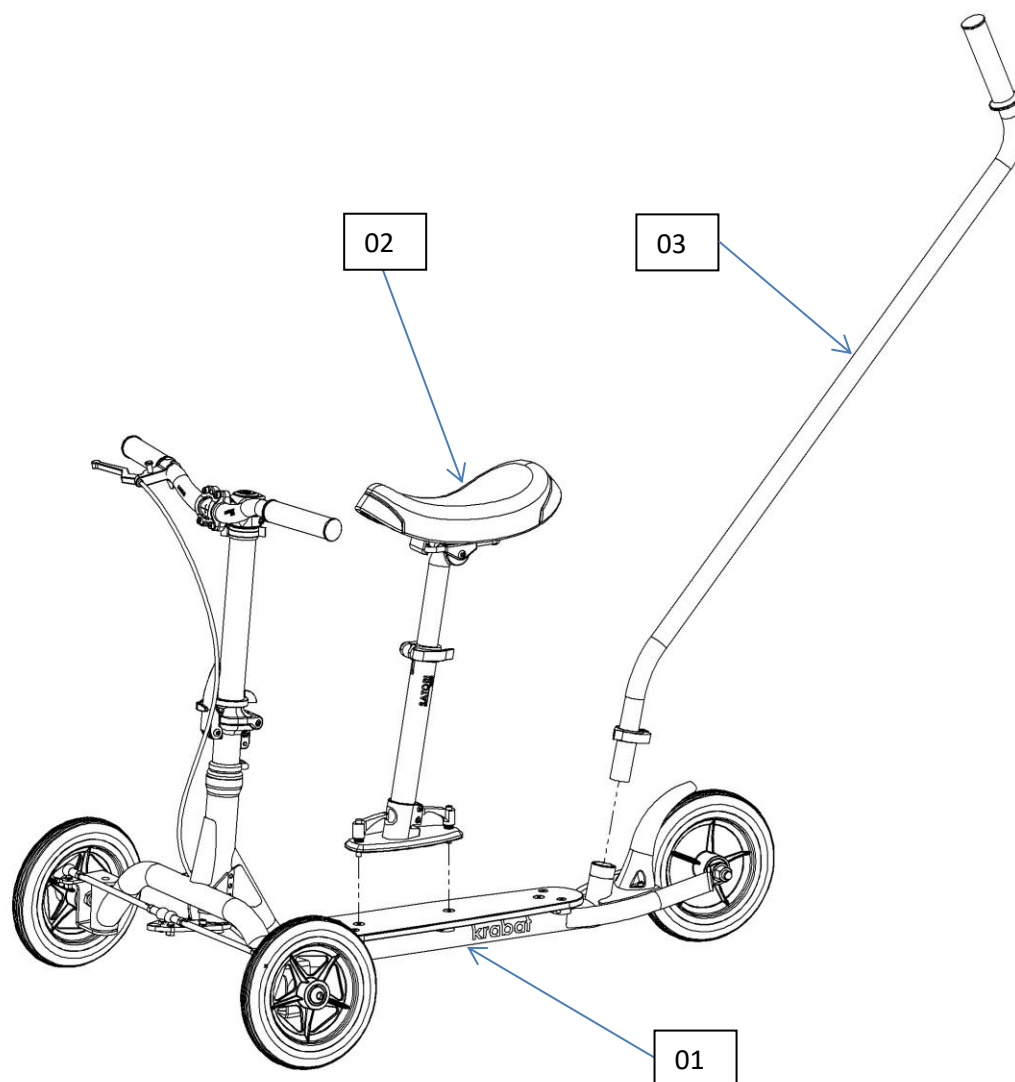


B-02 – Krabat Runner – Bruksanvisning / User manual

Hoveddeler/ Main Parts



01 Krabat Runner

02 Sete, komplett/ Seat, complete

03 Ledsagerbøyle, komplett / Push bar, complete

Nødvendig verktøy / Necessary tools:

- None

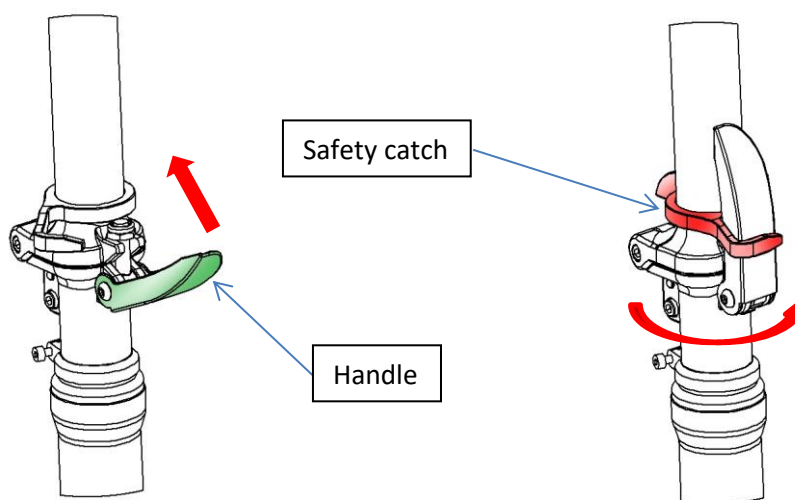
Note: Dersom setedybde ønskes justert, bruk en 4mm Unbrakonøkkel / If seat depth adjustment is required, use a 4mm Allen key

Attention: Fest skruer og hendler godt / Tighten screws and handles properly

Monteringsveiledning / Installation instructions:

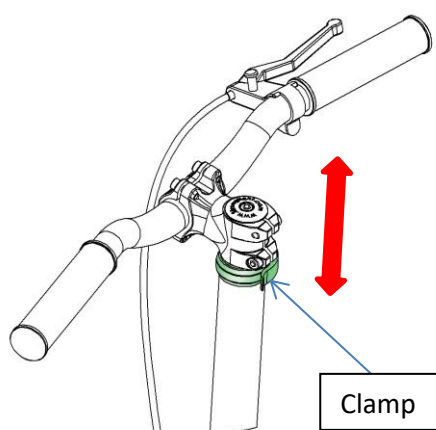
Styre/ Handlebar:

1. Løft styret opp til stående posisjon / Raise the handlebar to an upright position
2. Roter hendelen oppover for å låse styret i posisjon/ Move the handle upwards to lock the handlebar
3. Roter sikringen for å låse hendelen, som vist / Rotate the safety catch to lock the handle, as shown



Note: Sikringen må være på så lenge Krabat Runner er i bruk / The safety catch must be engaged at all times when in use!

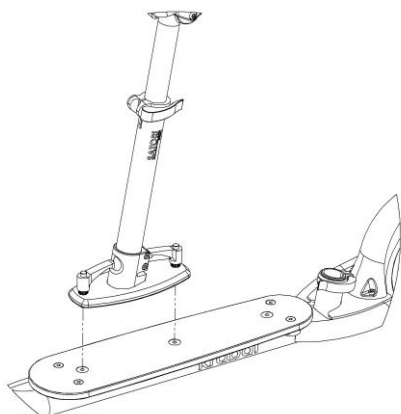
4. Styret justeres i høyden ved å løsne klemmen, flytt styret til ønsket høyde og stram klemme / The height of the handlebar can be done by loosening the clamp, move handlebar to the desired height and tighten the clamp



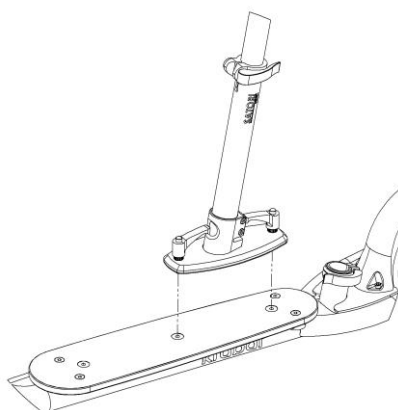
Sete/ Seat:

5. Plasser setet i ønsket posisjon. Plasser de to skruhendlene i korresponderende gjengede hull og skru begge to godt til. Trykk den røde knappen på hendlene og rotér de to hendlene som vist / Place seat in the desired position. Place the two handles in corresponding threaded holes and tighten both handles firmly. Press the red buttons on the handles and rotate the two handles to the position as shown

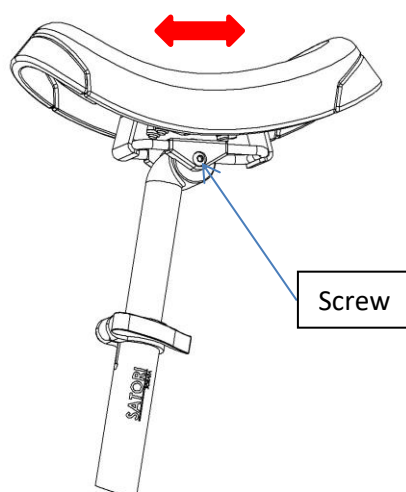
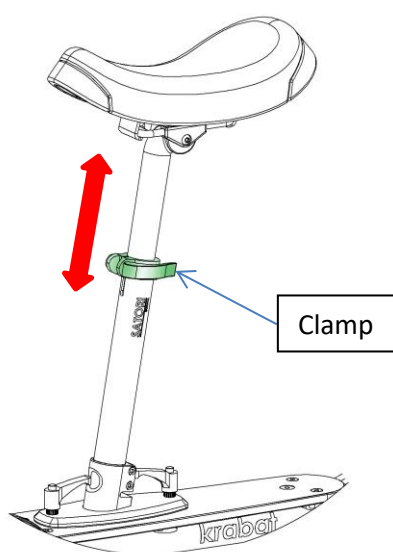
Front position



Rear position

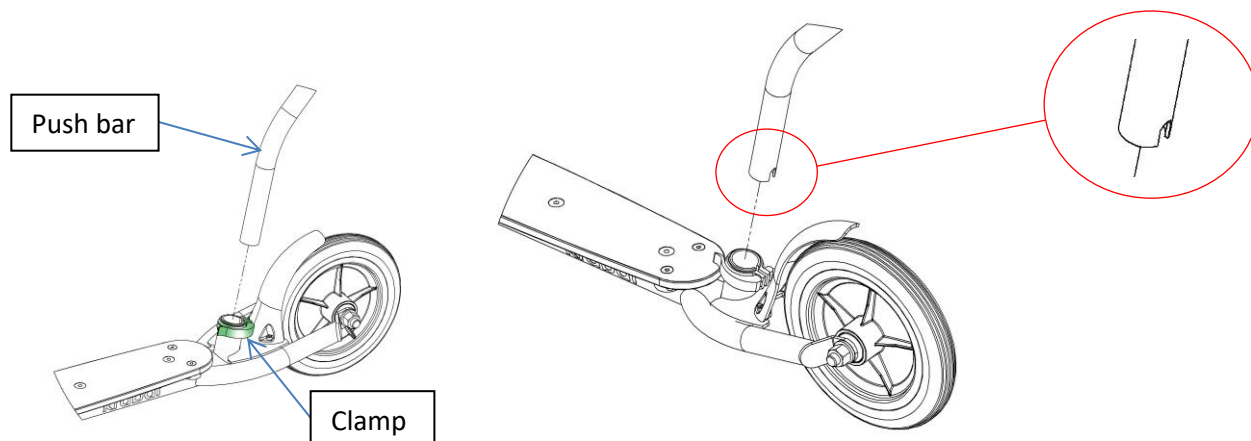
**Justering/ Adjustment:**

6. Høydejustering: Løsne klemmen, flytt setet til ønsket høyde og stram klemmen / Loosen the clamp, move the seat to desired height and tighten the clamp
7. Dybdejustering: Løsne de to skruene (en på hver side), flytt setet til ønsket posisjon og stram godt til / for adjustment of seat depth: Loosen the two screws (one on each side), move seat to desired position and tighten both screws firmly



Ledsagerbøyle/ Push bar:

Krabat Runner leveres med en ledsagerbøyle. Denne kan monteres ved behov / Krabat Runner is equipped with a Push bar. This item can be fitted if needed

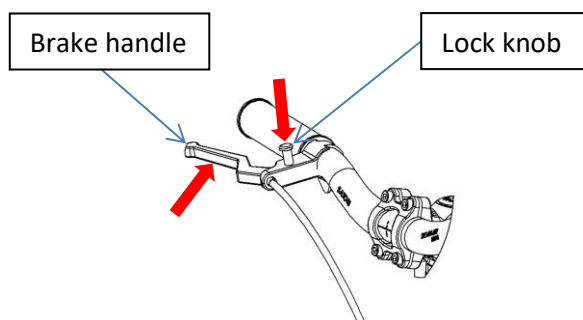


8. Tre klemmen over røret på Krabat Runner som vist over / Place the clamp on the protruding tube as shown above
9. Skyv Ledsagerbøylen helt ned i røret og stram klemmen / Insert the Push bar in the tube as far as it goes

Note: Ledsagerbøylen har et hakk i bakkant for riktig posisjonering / The Push bar has a notch for correct positioning

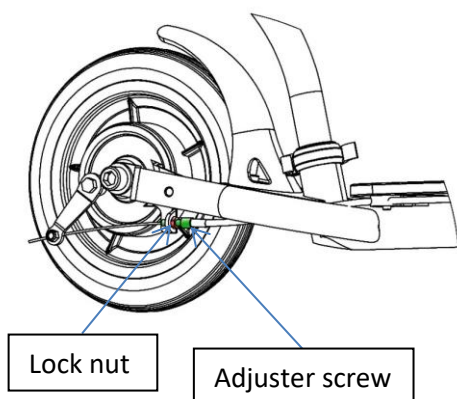
Brems - Parkeringsbrems/ Brake - Parking brake:

Krabat Runner er utstyrt med en kombinert kjørebrems/ parkeringsbrems / Krabat Runner is equipped with a combined brake/ parking brake.



Bremsar bør ha jevnlig vedlikehold for å fungere optimalt / Brakes should be maintained on a regular basis for optimal function

10. For å aktivere parkeringsbremsen, press inn bremsehendelen og trykk deretter ned låsekappen / To activate the parking brake, first apply force to the brake handle, then push down the Lock knob



Bremser bør justeres jevnlig for å fungere optimalt /
Brakes should be adjusted on a regular basis for optimal function

11. For å justere bremsewiren, løsne først låsemutteren og juster deretter bremsewirens stramming med justeringskruen. Stram låsemutteren / To adjust the brake wire, first loosen the lock nut, then adjust the wire using the adjuster screw. Tighten the lock nut.

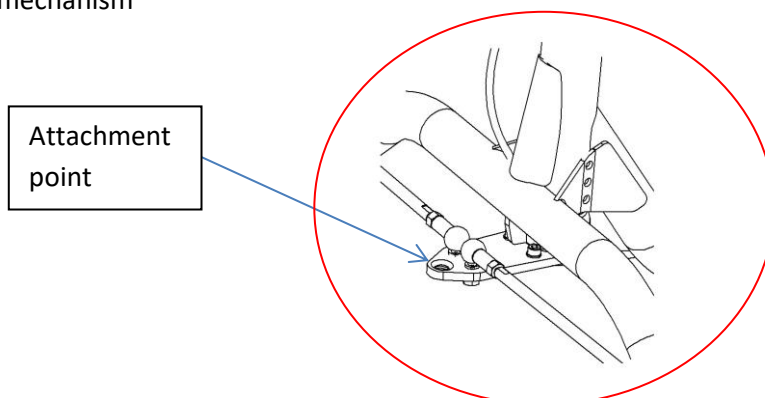
Generelle advarsler/ General attention:



- Maksimum brukervekt: **35 kg!**
- Krabat Runner er ikke et leketøy. All bruk skal skje under oppsyn av en voksen!
- Krabat Runner skal ikke benyttes i hastigheter over 5 km/h!
- Ulykker kan forekomme. Benytt derfor hjelm og annet nødvendig sikkerhetsutstyr!
- Maximum user weight: **35 kgs!**
- The Krabat Runner is not a toy. All use to be supervised by an adult!
- The Krabat Runner should not be operated in speeds that exceed 5 km/h!
- Accidents may occur. Use a helmet and necessary safety gear!

Extra:

Det er mulighet for å feste et tau og dra Krabat Runner, dette festes i egnet festepunkt framme på styringen / It is possible to attach a rope and pull the Krabat Runner, from a designated attachment point at the front of the steering mechanism



SAFETY

All Krabat products are CE marked according to 93/42 / EØF, Class 1 of 14 June 1993 - Medical Device Directive.

This certifies that it meets all relevant European safety requirements. This manual is approved according to these standards.

The shelf life of the product corresponds to a lifespan of about 5 years under normal use. Then the product should be renovated by Krabat AS or an approved partner to extend the life. All service must be performed by Krabat or an authorized partner.

Products with electrical components must be submitted to Krabat for a technical review / overhaul before it is sent out to use again.



The CE-label is to be removed if the product is modified, or non-original parts are used!



Adjustments not described in Krabat user manuals shall only be carried out by Krabat, or by personel approved by Krabat.



Krabat products are not toys! Improper use may cause damage to both user and/ or the product.

WARRANTY

Krabat provide a guarantee of 2 years on all its products. This guarantee is aimed at defects in workmanship or materials. The guarantee may be reduced or waive if service or daily maintenance are not observed. It is the customer's responsibility to ensure that maintenance is carried out.

The warranty does not cover accidental damage, including damage caused by improper use or lack of maintenance. The warranty does not cover normal wear or wear parts.

The warranty is void if non-original parts, or if the product is repaired or modified by personel not approved by Krabat.

