

Loop^{SORG}

All prices valid from April 1st, 2016



Loop^{SORG} N° 137601
 German Aid Index N° 26.99.01.3034
 with push rim drive
 Base price **2.430,- Euro**

Loop^{SORG} N° 137602
 German Aid Ind. N° 26.99.01.1045
 with 12" wheel
 Base price **2.430,- Euro**

Seat shell base frame, 10 cm abduction, weight capacity max. 120 kg, incl. seat tilt function from -5° up to +35° or from +2.5° up to +40°, back adaptable to seat shell from 90° to 120°, completely stowable. Seat width growable by 4 cm, drum brake controllable by attendant, pneumatic or flat free tyres




Quotation

Order

User/ID number	Delivery address/company stamp	Billing address
(Please fill in with block letters)		<input type="checkbox"/> same as delivery address
_____	_____	
First and surname	Contact person	
_____	_____	
Health insurance company	Date/Signature	
_____	_____	

Frame width	Usable width = frame width + 4 cm (cf. measures on next page)		
Size 1 (1301)	Size 2 (1302)	Size 3 (1303)	Back height
from SD 32	from SD 38	from SD 44	<input type="checkbox"/> 43 cm
<input type="checkbox"/> 30 cm <input type="checkbox"/> 34 cm <input type="checkbox"/> 38 cm <input type="checkbox"/> 42 cm	<input type="checkbox"/> 34 cm <input type="checkbox"/> 38 cm <input type="checkbox"/> 42 cm <input type="checkbox"/> 46 cm	<input type="checkbox"/> 38 cm <input type="checkbox"/> 42 cm <input type="checkbox"/> 46 cm <input type="checkbox"/> 50 cm	<input type="checkbox"/> 58 cm
N° 13..	N° 13..	N° 13..	

Frame equipment	Frame arches for closed frame	Lower leg length
Additional gas pressure spring		
<input type="checkbox"/> Necessary from a user weight > 75 kg or from frame width 42.	<input type="checkbox"/> Frame arches for a closed frame. The frame arches will be coated in the frame colour.	Please indicate both measures: 1. Real lower leg length of the user: _____cm 2. Cushion thickness: _____cm
Possible from frame width 38	Increases the stability of the frame	
<input type="checkbox"/> Coating of the frame arches in a different colour Only possible with closed frame N° 597699 Preferred colour: _____		
N° 192501 350,- €	N° 597699 CPD 320,- €	N° 597698 CPD 90,- €

Colours		
Finish alternatives	Moderate metallic effect (except for black)	Special colours (without additional charge, except for Nightblue)
<input type="checkbox"/> Shiny 0,- €	<input type="checkbox"/> Zinc Yellow (02) <input type="checkbox"/> Dark Green (15) <input type="checkbox"/> Pure Orange (21) <input type="checkbox"/> Crimson (04) <input type="checkbox"/> Pastel Blue (20) <input type="checkbox"/> Dark Blue (16) <input type="checkbox"/> Brilliant Blue (08) <input type="checkbox"/> Cream White (17) <input type="checkbox"/> Marrakech Brown (29) not metallic: <input type="checkbox"/> Girly Pink (19) <input type="checkbox"/> Black (31) <input type="checkbox"/> Chrome Yellow (06) <input type="checkbox"/> Ultramarine Blue (37)	Strong metallic effect: <input type="checkbox"/> Silver Metallic (36) <input type="checkbox"/> Apple Green Dormant (18) <input type="checkbox"/> Anthracite Metallic (22) <input type="checkbox"/> Fire Red Dormant (45) <input type="checkbox"/> Violet Dormant (50) Coarse structured surface: Dormant colour with additional charge: <input type="checkbox"/> Coarse Black (27) <input type="checkbox"/> Nightblue Dorm. (47) AC 59,-€
<input type="checkbox"/> Matt (not possible with special colours) N° 1561 59,- €		

Design package color anodization (Colour examples for anodized colours can be found on our website in the area equipment)		
<input type="checkbox"/> anodized Blue (01) <input type="checkbox"/> anodized Red (02) <input type="checkbox"/> anodized Green (03) <input type="checkbox"/> anodized Gold Orange (04) <input type="checkbox"/> anodized Violet (05) N° 1573.. CPD 265,- €	The following parts are anodized: Assembly group caster (fork, caps, adapter, half shells, wheel spacer), profile pipe support for push bow, hand rims The design package ist only possible in the listed setting.	Restrictions: <i>The hand rims are only available in the design package anodized colours by choosing aluminum hand rims. (not possible with stainless steel, Maxgripp, PVC, double or nob hand rims).</i> <i>Profile pipe support is only available in the design package anodized by choosing push bow.</i>

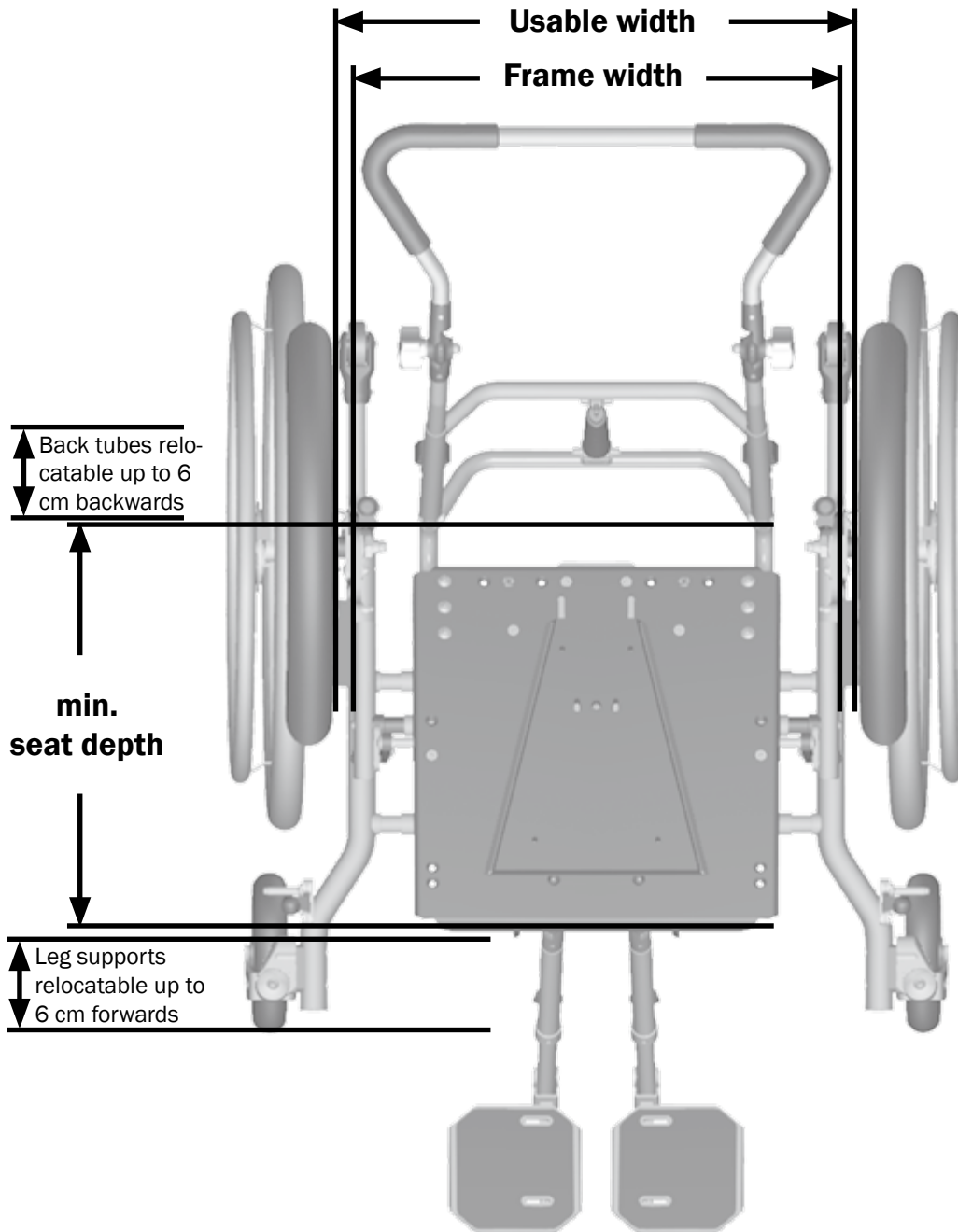
Seat system			
Seat support	Seat shell adapter	Universal support for competitors seat shell adapter	Child-proof lock
<input checked="" type="checkbox"/> Seat plate with tilt function Please tick tilting angle: <input type="checkbox"/> -5° to +35° (..00) <input type="checkbox"/> +2.5° to +40° (..01)	Universal adapter two-piece <input type="checkbox"/> for framesize 1 (..63) <input type="checkbox"/> for framesize 2+3 (..05)	Please mark required size and competitor <input type="checkbox"/> frame size 1 <input type="checkbox"/> Berollka-aktiv <input type="checkbox"/> frame size 2 or 3 <input type="checkbox"/> Rehatec <input type="checkbox"/> Schuchmann	<input type="checkbox"/> Child-proof lock for tilting mechanism. Recommended for very active children
N° 1927.. 0,- €	N° 19.. 268,- €	N° 196400 75,- €/pcs.	N° 1940 59,- €

Abbreviations

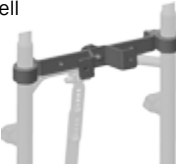

piece - pcs
 pair - P
 net price - NP
 additional charge - AC
 lower leg length - LLL
 cf. - configuration





seat width - SW
 seat depth - SD
 back height - BH
 customized product discount - CPD





Frame width	Usable width	Total width	min. seat depth
= Distance between the outer edges of the upper frame tubes The frame is growable by 4 cm in width.	= Distance between the inner edges of the cloth guard Frame width + 4 cm	= Frame width + 26 cm at 2° camber with drum brake hub (Mounting of transport brackets increase the total width by 2cm)	Frame size 1 = from 32 cm Frame size 2 = from 38 cm Frame size 3 = from 44 cm Back tubes relocatable up to 6 cm backwards Leg supports relocatable up to 10 cm forwards



To see the latest versions of our order forms, please visit www.sorgrollstuhltechnik.de/downloads

Back unit				
Back angle	Back angle	Back guide standard	Back guide wide	Activation of back angle
<input type="checkbox"/> Mechanically adjustable through raster from 90°-120°, completely stowable Attention! Anti-tipper required (danger of tipping!)	<input type="checkbox"/> Steplessly adjustable in angle through gas pressure spring from 90°-120° and completely stowable Activation via lever at the gas pressure spring Attention! Anti-tipper required (danger of tipping!)	<input type="checkbox"/> Central back guide, for seat shell 	<input type="checkbox"/> Central back guide, with adapter, e.g. for seat shells with physiological pivot point 	<input type="checkbox"/> Activation of the gas pressure spring back (N° 600308) by handle and bowden cable mounted at the push handle
N° 600305 0,- €	N° 600308 98,- €	N° 600310 198,- €	N° 600311 295,- €	N° 600309 38,- €

Leg support foot plate depth 150 mm and 230 mm				
Standard	Adjustable in angle	Adjustable in angle	Multidirectional	
undivided foot plate, foldable backwards, rigid knee angle at 90° Possible distance top edge seat to top edge footplate: 13-49 cm Foot plate depth: <input type="checkbox"/> 150 mm (..01) <input type="checkbox"/> 230 mm (..02) + 40,- € AC 	undivided foot plate, foldable backwards, knee angle adjustable from 80-180 Possible distance top edge seat to top edge footplate: 12-50 cm Foot plate depth: <input type="checkbox"/> 150 mm (..03) <input type="checkbox"/> 230 mm (..04) + 40,- € AC 	divided foot plates, foldable backwards, knee angle adjustable from 80-180° Possible distance top edge seat to top edge footplate: 12-50 cm Foot plate depth: <input type="checkbox"/> 150 mm (..30) <input type="checkbox"/> 230 mm (..31) + 40,- € AC 	<input type="checkbox"/> divided foot plates, foldable sideways. Multidirectional, separate and stepless adjustment of knee angle, abduction and leg length. Foot plate depth 150 mm. Possible distance top edge seat to top edge footplate: 12-50 cm from frame-width 42 cm + from frame size 2 	
N° 4055.. 0,- €	N° 4055.. 50,- €	N° 4055.. 80,- €	N° 405506 270,- €	

Leg support swiveling outwards and removable, foot plate depth 150 mm				Leg Support Genex
One piece	Divided	Articulating		Dynamic Leg support
<input type="checkbox"/> with undivided foot plate, foldable sideways, leg support completely removable, swiveling outwards and adjustable in width. Possible distance top edge seat to top edge footplate: 26-45 cm 	<input type="checkbox"/> with divided foot plates, foldable sideways, leg support completely removable, swiveling outwards and adjustable in width. Possible distance top edge seat to top edge footplate: 26-45 cm 	<input type="checkbox"/> with divided foot plates, swivelling and detachable with physiological pivotal point, hinged upwards from 93° to 180°, swiveling outwards and adjustable in width. Possible distance top edge seat plate to top edge footplate: 17-42 cm 	<p>All removable leg supports can be adjusted in width and are possible from a seat depth of 40 cm.</p> <p>Not possible in combination with „Frame arches for closed frame“</p>	<input type="checkbox"/> Special spring mechanism to soothe spastic foot or leg tonus in all dimensions, foot plate hinged upwards. Knee angle resilient forward and backward. Possible distance top edge seat to top edge footplate: 23-41 cm. Minimum possible seat depth increase by 2 cm. Possible from frame size 2  <p>Not in combination with N° 4009 / N° 405509</p>
N° 405507 120,- €	N° 405540 160,- €	N° 405505 200,- €		N° 4053 CPD 599,- €






Leg support options				
Locking at 90°	Heel cups	Universal holder	Calf rest (with holder)	
<input type="checkbox"/> for all leg supports with foldable foot plate/s N° 4009 60,- €	Alu black, for self-assembly <input type="checkbox"/> Size 1 (..01) 7 x 11.5 cm <input type="checkbox"/> Size 2 (..02) 9 x 12.5 cm <input type="checkbox"/> Size 3 (..03) 10 x 15.5 cm	<input type="checkbox"/> Leg support holder for 15 x 15 mm square-cut tube. Not suitable for SORG leg supports.	<input type="checkbox"/> for the angle-adjustable leg support N° 405503/04 Mounting: <input type="checkbox"/> right <input type="checkbox"/> left <input type="checkbox"/> pair (2 pcs.) recommended for seat plate depth 230mm	<input type="checkbox"/> for the leg supports N° 405505/6 Mounting: <input type="checkbox"/> right <input type="checkbox"/> left <input type="checkbox"/> pair (2 pcs.) Possible distance top edge seat to top edge footplate: from 20cm
Heel edge <input type="checkbox"/> for all leg supports with foldable foot plate/s N° 405509 60,- €	N° 4020.. 54,- €/P	N° 4006 115,- €	N° 403005 135,- €/pcs.	N° 403006 135,- €/pcs.




Abbreviations




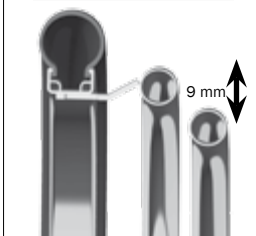
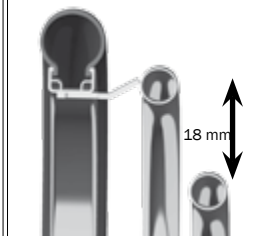
piece - pcs
pair - P
net price - NP
additional charge - AC
lower leg length - LLL
cf. - configuration





seat width - SW
seat depth - SD
back height - BH
customized product discount - CPD






To see the latest versions of our order forms, please visit www.sorgrollstuhltechnik.de/downloads

Arm pad			Push bow	
			Trapeze-shape	90° - shape
Adjustable in height through raster	steplessly adjustable in height and angle	Adjustable in angle, mounted at the back tubes	Bow handle with trapeze shape is used for seat width <40	Bow handle with 90°-shape is used for seat width >40
				

Brakes		
Knee lever brake	Roll-back blocking	Covers
 Standard		cover ball knob golf ball knob 

Wheels		Double handrims		
Standard wheel	Profile wheel	Double handrim	Distance tight (only 9mm)	Distance normal (Standard)
			 9 mm	 18 mm

Tyres			
Schwalbe Right Run	Standard Pneumatic	Solid tyres	Schwalbe Marathon Plus
			

Mounting of handrims For standard wheels please indicate the desired kind of mounting!				
Standard tight	Standard wide	High tight	High wide	Handrim with knobs
 Standard tight 13mm	 Standard wide 23mm	 High tight 13mm	 High wide 23mm	

Arm pads, wheel cover and Push bow				
Arm pad	Arm pad	Arm pad	Wheel cover	Push bow
<input type="checkbox"/> mounted at the seat shell, adjustable in height through raster Arm pad is enclosed unmounted	<input type="checkbox"/> mounted at the seat shell, 24 cm long, steplessly adjustable in height and angle Arm pad is enclosed unmounted	<input type="checkbox"/> mounted at the back tubes, adjustable in height and angle Not possible in combination with therapy table	<input type="checkbox"/> made of black synthetic material Not for 12" wheels!	<input checked="" type="checkbox"/> adjustable in angle, with steel joint Please select mounting: <input type="checkbox"/> Mounting (.02) Standard Pushing height ca. 90-100 cm (+ 15 cm at BH 58 cm) <input type="checkbox"/> Mounting (.03) High Pushing height ca. 100 - 110 cm (+ 15 cm at BH 58 cm)
N° 452506 198,- €/P	N° 452204 188,- €/P	N° 453100 298,- €/P	N° 5210 196,- €/P	N° 6531.. 0,- €

Brakes			
Please tick when drum brakes are not necessary	Drum brake	Knee lever brake	Roll-back blocking
<input type="checkbox"/> Please deliver with standard wheels (pneumatic with aluminium handrims) <input type="checkbox"/> Please deliver without wheels	<input checked="" type="checkbox"/> for standard wheels, incl. brake lever for attendant	<input type="checkbox"/> Knee lever brake Standard	<input type="checkbox"/> Automatically averts the risk of rolling backwards down slopes, without affecting forward movements Recommended for a user weight of up to max. 90 kg
	N° 220037 0,- €	N° 352598 134,-/P	N° 3526 CPD 330,- €/P

Brake lever extensions	
Straight 6 cm	Cranked 12 cm
straight, 6 cm long <input type="checkbox"/> with cover	cranked, 12 cm long <input type="checkbox"/> with cover
N° 3510 42,- €/P	N° 3515 50,- €/P
straight, 6 cm long <input type="checkbox"/> with ball knob <input type="checkbox"/> with golf ball knob	cranked, 12 cm long <input type="checkbox"/> with ball knob <input type="checkbox"/> with golf ball knob
N° 3512 56,- €/P	N° 3516 66,- €/P

Wheels			Wheel size and wheel camber	
Standard wheel	Lightweight wheel	Profile wheel	Wheel size	Camber
<input type="checkbox"/> Standard wheel for drum brake	<input type="checkbox"/> Lightweight drum brake wheel, incl. aluminium handrims, black, Weight reduction up to 1.1 kg/pair compared to drum brake wheels; not with solid tyres and not as 12" wheels!	<input type="checkbox"/> Unity of handrim and rim, reduces the risk of finger injuries Additional weight of approx. 800g/wheel compared to lightweight wheels	Size in inches <input type="checkbox"/> 20" <input type="checkbox"/> 22" <input type="checkbox"/> 24" <input type="checkbox"/> 12"x2 1/4" pneumatic	Camber <input type="checkbox"/> 2° (Standard) 0,- € Adapter for camber 0° <input type="checkbox"/> 0° Only with 22" and 24" wheels
N° 21..30 0,- €	N° 21..81 100,- €/P	N° 21..31 0,- €		N° 201515 AC 65,- €

Tyres			
Standard	Standard	Design	Performance
Pneumatic: <input type="checkbox"/> Schwalbe <i>Right Run</i> 1" (grey/black) (...13) <input type="checkbox"/> Standard tyres 1 3/8" (grey) (...21)	Solid tyres: <input type="checkbox"/> Standard tyres 1" (grey) (...11) <input type="checkbox"/> Standard tyres 1 3/8" (grey) (...21) (not with lightweight drum brake wheel)	Pneumatic: <input type="checkbox"/> Schwalbe <i>Right Run</i> 1" (blue/black) (...14) <input type="checkbox"/> Schwalbe <i>Right Run</i> 1" (red/black) (...15) Only with 24" wheels	Pneumatic: <input type="checkbox"/> Schwalbe <i>Marathon Plus</i> , black, pneumatic flat free tyres, 1" Only with 22" and 24" wheels
N° 20.. 0,- €	N° 23.. 0,- €	N° 2024.. 28,- €/P	N° 20..12 65,- €/P






Handrims			
Mounting and material	Handrim with knobs	Double handrim	
<input type="checkbox"/> tight <input type="checkbox"/> wide <input type="checkbox"/> high <input type="checkbox"/> standard Material: <input type="checkbox"/> Stainless steel (...01) <input type="checkbox"/> Alu, silver anodized (...75) 20" only with mounting „high“	<input type="checkbox"/> Handrims mounted very closely to rim, reduces the risk of finger injuries only for standard wheels	<input type="checkbox"/> With 8 knobs, stainless steel Only for standard wheels <input type="checkbox"/> Additional knobs on request (price on request) Number requested: _____	with drum brake hub and double handrim Mounting <input type="checkbox"/> left <input type="checkbox"/> right
N° 30..01 0,- €	N° 3015 CPD 125,- €	N° 31..11 250,- €/P	N° 2615 1.049,- €
			N° 26.. 0,- €
			N° 261435 139,- €
			Distance of double handrim <input type="checkbox"/> standard 18mm (...11) <input type="checkbox"/> tight 9mm (...12)






Abbreviations

piece - pcs
pair - P
net price - NP
additional charge - AC
lower leg length - LLL
cf. - configuration



seat width - SW
seat depth - SD
back height - BH
customized product discount - CPD

To see the latest versions of our order forms, please visit www.sorgrollstuhltechnik.de/downloads

Caster wheels				
Standard PU	Standard solid rubber	Standard pneumatic	Design PU	Design solid rubber
				

Caster forks				
Standard synthetic	Standard aluminium	Design aluminium	Quick-release axle	Additional set
				

Mounting table for the distance between the seat shell mounted Arm pads for the correct choose of therapy table size.		
	item-n°	Max. distance
Maximum distance between the mounted Arm rests.	N° 920710	35cm
	N° 920711	49cm
	N° 920712	60cm


Frame options	
Anti-tipper	Outdoor Front End
	


Spoke cover		Design Decors (Net prices are not discountable)			
Transparent		Please specify the desired model of the corresponding manufacturer:			
<input type="checkbox"/> transparent (..00)	<input type="checkbox"/> www.blueprince.de	<input type="checkbox"/> www.speichen-schutz.de	<input type="checkbox"/> www.wheelchairgadgets.com	<input type="checkbox"/> Optional: child's name on spoke cover	
N° 25.. 158,- €/P				Only for Design Decor	
<input type="checkbox"/> blue (..53) <input type="checkbox"/> red (..52) <input type="checkbox"/> yellow (..51)					
N° 25.. 198,- €/P	N° 25..25 NP 198,- €	N° 25..26 NP 144,- €	N° 25..27 NP 144,- €		

Caster wheels				
Standard PU	Standard solid rubber	Standard pneumatic	Design LED	Design solid rubber
Polyurethane: <input type="checkbox"/> 5" (2805) <input type="checkbox"/> 6" (2803)	Solid rubber: <input type="checkbox"/> 5" (2809) <input type="checkbox"/> 5.5" (2802) <input type="checkbox"/> 6" (2811) <input type="checkbox"/> 7" (2813)	Pneumatic, grey: <input type="checkbox"/> 6" (2808) <input type="checkbox"/> 7" (2807)	Polyurethane, transparent with LEDs: <input type="checkbox"/> 5" (2834)	Solid rubber, black, with alu rim <input type="checkbox"/> 5" (2836)
0,- €	0,- €	0,- €	0,- €	0,- €

Caster forks				
Standard aluminium	Standard synthetic	Design aluminium	Quick-release axle	Additional set
<input type="checkbox"/> Alu fork, black anodized	<input type="checkbox"/> Synthetic caster fork, to protect your furniture	<input type="checkbox"/> Alu fork coated in frame colour	<input type="checkbox"/> Alu caster fork with quick-release axle Not possible with N° 599520, N° 2850, N° 2851	<input type="checkbox"/> Additional set of changeable caster wheels (incl. caster and fork); Caster size: _____ " Only with N° 2721 Not possible N° 599520, N° 2850, N° 2851
2826 0,- €	N° 2827 0,- €	N° 2829 NP 29,- €/P	N° 2721 176,- €/P	N° 2830 240,- €/P

Caster options		Therapy table Variation 2		
Track fixation	Locking	Mounting	Transparent	Design
<input type="checkbox"/> Caster wheel track fixation (straight) Not possible with N° 2721, N° 2830	<input type="checkbox"/> Locking mechanism for track fixation Not possible with N° 2721, N° 2830	Adjustable in height and distance, plugged under arm rests on both sides Arm pads required! Therapy table is enclosed unmounted Please mind the mounting table on page 6 for correct choose of therapy table size.	<input type="checkbox"/> Size 1 45 x 36 cm N° 920710 310,- € <input type="checkbox"/> Size 2 59 x 45 cm N° 920711 330,- € <input type="checkbox"/> Size 3 70 x 50 cm N° 920712 350,- €	<input type="checkbox"/> Number of design for acrylic glass therapy table according to www.wheelchairgadgets.com :
N° 2851 156,- €/P	N° 2850 196,- €/P		N° 920712 350,- €	N° 920099 CPD 89,- €

Transport brackets	
Compatibility with electrical drive systems or Outdoor-Front-End	Transport brackets
Please tick appropriate box if number N° 58507610 was selected (Without ticking an appropriate box, delivery will be without compatibility to additional systems): <input type="checkbox"/> Outdoor-Front-End (restraint brackets at the front) <input type="checkbox"/> Additional electrical drive system (restraint brackets at the back) <input type="checkbox"/> Neither <small>Restraint brackets must be replaced by a subsequent fitting of an Outdoor-Front-End or an electrical drive system to the wheelchair</small>	<input type="checkbox"/> Transport brackets (4 pieces) for transportation in a handicapped accessible passenger car  N° 58507610 CPD 210,- €

Frame options				
Anti-tipper	Step tube	Outdoor Front End	Splash guard	Wheel base extension
Swing-away installation Mounting <input type="checkbox"/> right <input type="checkbox"/> left <input type="checkbox"/> pair	Mounting <input type="checkbox"/> right <input type="checkbox"/> left <input type="checkbox"/> pair	<input type="checkbox"/> Outdoor Front End, adjustable in width and length, facilitates significantly active and passive driving on soft or rough surfaces, incl. mounting aid	<input type="checkbox"/> Splash guard for Outdoor Front End, made of plastic 	<input type="checkbox"/> Wheel base extension by approx. 9.5 cm
N° 7215 112,- €/pcs	N° 7407 66,- €/pcs	N° 599520 CPD 398,- €	N° 59951212 CPD 41,- €	N° 7676 210,- €/P

Abbreviations

piece - pcs
pair - P
net price - NP
additional charge - AC
lower leg length - LLL
cf. - configuration

seat width - SW
seat depth - SD
back height - BH
customized product discount - CPD

Terms and conditions

1. Preface and Scope

(1) Our terms and conditions apply exclusively. Any deviating, opposing, or complementing terms and conditions on the part of the business partner do not form integral part of contract unless explicitly approved of by us. There are no exceptions to the consent requirement, which also applies in cases where we conduct deliveries without restrictions while aware of the business partner's terms and conditions.

(2) Agreements made in the individual case with the purchaser (including side-agreements, supplements, and alterations) always take priority over these terms and conditions. A contract or our confirmation - both in written form - are authoritative for the content of such arrangements.

(3) Any legally relevant declarations and notifications the purchaser submits to us after conclusion of the contract (e.g. setting of deadlines, notice of defects, declarations of rescission or abatement) require the written form to be valid.

(4) Any information on the application of legal regulations serves the mere purpose of clarification. All regulations are legally binding without any such clarifications unless explicitly altered or excluded in these terms and conditions.

2. Prices

All prices are ex works, excluding insurance and packaging. The prices are net prices; the value-added tax is stated and charged separately according to the legally binding rate at the time of invoicing. The prices valid on the day of delivery are binding unless explicitly arranged otherwise.

3. Conclusion of Contract

SORG's offers are invitatio ad offerendum (invitations to treat). Ordering goods counts as an obligatory offer of contract on the part of the purchaser. Unless the order suggests otherwise, we have the right to accept this contract offer within two weeks time after reception. The acceptance of an offer of contract is effected by the confirmation of the order.

4. Terms of Payment

(1) Provided that no other agreements exist, payment is to be made by paying in advance - 50% at placing of order, 50% pre-delivery of goods. The purchaser bears any costs arising from transactions or discounting.

(2) If a 30-day payment deadline is exceeded, a delay rate of 8% on top of the respective base rate of the European Central Bank falls due without the need for prior notices. Beyond that, the purchaser is charged 3,- € for any reminder sent. We reserve the right to make use of the commercial due rate according to § 353 HGB. A higher damage for delay may be enforced via a suitable verification.

5. Offers and Validity

All current price lists are generally valid until March 31 of the respective year, or until new price lists are published. The latest version of the price list will always be provided on our homepage. Offers older than 3 months at that point expire and must be replaced with new offers and prices.

6. Time of Delivery and Delay

We state the terms of delivery when accepting the order. The delivery date is non-binding and has mere guideline value - especially with regard to customised products. The terms for delay in delivery are defined by legal regulations. In any case, a writing notice issued by the purchaser is necessary for them to take effect.

7. Force Majeure (Act of God)

(1) SORG is not to be held responsible for the following delays of delivery. This also applies if these causes occur with respect to legal representatives, auxiliary persons, or deliverers of SORG: Circumstances of force majeure as well as other extraordinary events that are unpredictable and unavoidable for, and not caused by, SORG, and that only occur after ordering or reserving, and that SORG could not have known about. Moreover, this applies in case of strikes, fire, floods, labour disputes, business disruptions, altered magisterial approbation and legal situation, and magisterial orders which are not due to operational risks.

(2) In the cases of paragraph 1, SORG is eligible to delay delivery/performance for the time of hindrance as well as an appropriate start-up time. If SORG thus causes unacceptable complications for the purchaser, both SORG and the purchaser are eligible to withdraw from the contract. Circumstances that only lead to a temporal and hence acceptable delay of delivery and performance are excluded from this right. The legal rights of the client remain unaffected.

8. Dispatch

We generally dispatch uncovered by insurance and at the recipient's risk. We transfer the risk of coincidental loss or deterioration of the goods as well as delay on to the client at the moment of passing the goods on to the forwarder, bearer, or any other person/institute responsible for delivery. SORG will make any effort to respect the client's wishes in terms of path and kind of delivery. Any costs caused by this (including agreed carriage free delivery) are to be covered by the client.

In the case of carriage free delivery conducted by SORG, the recipient is required to put forward any carriage costs for a refund. If the client wishes the dispatch to be delayed, any risk of loss or deterioration of the goods is carried by the recipient from the first day of readiness for dispatch. The goods dispatched are only insured upon special demand and at the cost of the recipient.

9. Damage through Delivery Angelieferte Gegenstände sind, auch wenn sie unwesentliche Mängel Upon delivery, the goods need to be checked for obvious damage in the presence of the bearer. Any damage is to be documented in a written form and co-signed by the bearer. This protocol is to be forwarded to us immediately. Delayed reclamations, or reclamations not signed by the bearer, cannot be taken into account.

10. Warranted Features, Receipt, and Technical Alterations

Delivered objects, even with minor damage, are to be accepted by the client, even if §433, paragraph 1 BGB is not fulfilled. Partial deliveries are permissible. Features only count as warranted if explicitly designated as such. A warranty of condition can only be asserted explicitly and in a written form. SORG reserves the right for technical alterations, especially for solutions of equal or higher value.

11. Warranty for Defects

(1) SORG warrants for any defects of delivered new goods for 12 months and for 6 months in case they are used.

(2) The purchaser's claim for defects presuppose that he has attended his obligation to give notice of defects on the legal grounds for his reasons of inquiry (§§ 377, 381 HGB). If defects are found during the inspection or at a later point, we are to be notified in writing without delay. The notice counts as not delayed if issued within two weeks. Posting the notice on time suffices for the keeping of the term. Independently from this obligation to inspect and give notice, the purchaser

is to report obvious defects (including wrong and short delivery) within two weeks upon delivery (again, posting the notice on time suffices). If the purchaser misses the proper inspection and/ or notice of defects, we do not warrant for the reported defects. If the delivered good is detected, we may choose to conduct supplementary performance either by repairing the defect (subsequent improvement) or by delivering flawless goods (compensation delivery). Our right to refuse the chosen method of supplementary performance on the respective legal grounds remains untouched.

(3) Our liability for defects expires when alteration or maintenance works are done by the client or a third-person-party without our prior written permission. Consequences of excessive strain, negligent or incorrect handling, and violent damage are excluded from the warranty for defects.

12. Further Liability

(1) With respect to compensation - regardless of the legal cause - SORG is only liable in case of malice and act of gross negligence. In case of slight negligence, SORG is only liable for damage of life, body, health, and for damage caused by the negligence of an essential contractual obligation (an obligation whose fulfilment make the proper realisation of the contract possible in the first place and in whose fulfilment the contract partner regularly trusts and can trust). In this case, however, our liability does not exceed the covering of predictable, typically occurring damage.

(2) A free right to termination on the part of the purchaser (acc. to § 651, 649 BGB in particular) is precluded. Otherwise, the usual prerequisites and legal consequences apply.

13. Costs of Supplementary Performance

Costs of supplementary performance cannot be charged on SORG's account.

14. Voluntary Withdrawal of Goods

SORG is not obliged to take back any delivered end products or parts thereof. If SORG voluntarily decides otherwise in individual cases (especially for therapeutically altered requirements or deaths), SORG refunds a maximum of 75% of the delivery costs for unused parts whose delivery does not date back more than three months. There is no legal obligation concerning withdrawal in this respect. Deliveries which date back more than three months as well as sewed parts and customised products are not returnable. A copy of the delivery note or the bill serves as proof of age of delivery.

15. Reservation of Ownership

Goods delivered by SORG remain the property of SORG until any obligations from the parties' business contract on the part of the purchaser have been redeemed. This also applies if SORG has adapted individual or all claims into a running account which has been balanced and acknowledged. The purchaser has the right to dispose of the goods in the proper course of business. The purchaser hereby yields all claims to SORG which arise from the resale against the purchaser or third parties. The purchaser is authorised to withdraw these claims even upon conveyance. SORG's right to withdraw the claims remains untouched. However, SORG is obliged not to withdraw the claims as long as the purchaser complies with his duty of payment and any other duties. SORG has the right to demand that the purchaser makes known the yielded claims and their debtors, that he provides all information necessary for conveyance, and that he hands in all associated documents. As long and insofar the reservation of ownership is intact, the purchaser must not transfer any goods for securing or bailment without SORG's permission. The purchaser may process or alter the goods for the benefit of SORG exclusively. If processed with other goods which do not belong to SORG, SORG obtains co-ownership of these new goods in relation to the invoice value to the cost price of the other processed goods. If a third party interferes with SORG's ownership, the purchaser is to notify SORG immediately. The purchaser must not make any agreements with other purchasers which may exclude or limit SORG's rights. In particular, the purchaser must not make any agreements which destroy or limit the advance assignments to SORG. If the estimated value of the existing guarantees exceeds the claims to be ensured by more than 20%, SORG is insofar obliged to release by request of the purchaser.

16. Copyright Protection

If SORG conveys any images, drawings, indications of weight or measurements, technical documentations, or other product descriptions and documents (including electronic ones), the respective indications only apply if explicitly stated that they do. SORG reserves ownership and copyright of all these documents. They may only be made available to third parties upon SORG's explicit permission.

17. Place of Fulfilment, Place of Jurisdiction, and Severability Clause

(1) The law of the Federal Republic of Germany applies for these Terms and Conditions and all legal relations between us and our business partners. All international and supranational (contractual) legal systems, the UN Convention on Contracts for the International Sale of Goods in particular, are hereby excluded. Prerequisites and effects of the reservation of ownership acc. to no. 15 are subject to the right of the respective storage location of the good if the choice of law made in favour of the German law is illegitimate or ineffective. The only place of jurisdiction (also on an international basis) for any disputes arising directly or indirectly from the contractual relationship is, according to German Commercial Code, our office in Oberhausen-Rheinhausen, Germany. However, we also have the right to file a suit concerning the general jurisdiction of the purchaser.

(2) If any clause in these Terms of Conditions should turn out to be ineffective, this does not affect the effectiveness of all other clauses.

Technical alterations and misprints reserved. As of: March 2012

SORG Rollstuhltechnik GmbH + Co. KG
Benzstr. 3-5, 68794 Oberhausen-Rheinhausen / Germany
Phone +49 7254 / 9279-0
Fax +49 7254 / 9279-10
info@sorgrollstuhltechnik.de, www.sorgrollstuhltechnik.de