



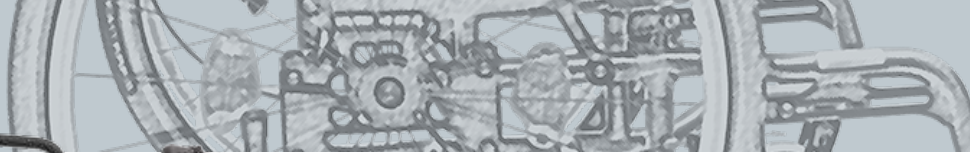
# Tilty Vario

Tiltable wheelchair with activity option

**S.ORG**<sup>®</sup>  
Rollstuhltechnik



- Tiltable wheelchair with the possibility of active driving.
- Easy adjustment to the respective degree of activity with precise setting of the optimal physiological grip point.
- Suitable for children AND adults (SW 28 to 40 cm + 4 cm each).
- High-tensile frame with 10 cm abduction.
- Adaptable in all three dimensions without additional components.
- Seat-back-unit tiltable by 25° with gas pressure spring.
- Back adjustable in angle from 80°-120° and stowable.
- Very easy handling.
- Wide range of different component options.
- Suitable for therapy according to Pörnbacher or for the assembly of a seat shell.

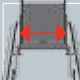
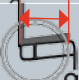

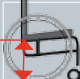


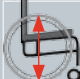




**Tilty Vario** - the perfect symbiosis of a tiltable wheelchair with activity option. Here the back position at 90° without tilt is shown.

Back position at 120° without tilt.

Back position at 120° plus tilt of 25°. The push bar has been folded up in order to push **Tilty Vario** even in this position.

## Measures and Details

|   |  |  |
|---|--|--|
|  SW 26-44 cm<br>(+ 4 cm each)<br>2 cm-steps                |  SD 30-44 cm<br>(+ 4 cm each)<br>2 cm-steps                       |  BH 30-45 cm<br>(+ 2.5/5 cm)<br>5 cm-steps                          |
|  Seat height back<br>32-45 cm<br>34-47 cm<br>36.5-49.5 cm |  Seat height front<br>37.5-47.5 cm<br>39-49.5 cm<br>41.5-51.5 cm |  Distance seat /<br>foot plate<br>int. 30-32.5 cm<br>ext. 30-49 cm |
|  20"<br>22"<br>24"                                       |  4"<br>5", 5.5"<br>6"<br>7"                                     |  max. user<br>weight<br>90 kg                                     |

## Standard version

- Rigid aluminium frame, 10 cm abduction
- Adaptable without additional components (SW/SD+4 cm, BH+5 cm)
- Seat unit tiltable by 25°
- Back angle from 80°-120°, stowable
- Easy adjustment of seat position for active driving
- Firm seat plate SitzFix for comfortable sitting
- Standard back cover
- Standard- or profile wheels (with integrated handrims) with quick-release axles, pneumatic or flat free tyres
- Standard knee lever brake
- Caster wheels with alu fork in many different versions
- Many different finish alternatives



With the help of the perforated plate **Tilty Vario** can be adapted to the desired degree of activity: from passive-stable to self-determined-active.



The thorax pads are adjustable to the user in height, length and angle and can easily be folded outwards. Pads in different sizes can additionally be fixed.

## More Options

- Ultralightweight wheels with drum brakes
- Anatomical seat and back cushions
- Different curved back plates
- Seat and back cushions in many different colours
- Undivided or divided footplate, foldable and/or swivelling (in a customized version swivelling outwards and/or upwards)
- Active bowden cable brake
- Push handles or bar adjustable in height and angle
- Different single-hand aids
- Different positioning aids (head rests, truss pads and abduction wedges)
- More than 250 different spoke cover designs
- Outdoor-Front-End
- Special tyres
- Arm pad