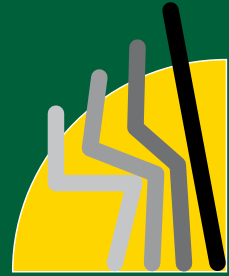


LifeStand Compact

LSC

Standing
Independence



LIFESTAND
Permobil Corp.



STANDING : A NEW FREEDOM !

“LifeStand®” is the most innovative generation of standing wheelchairs. It has been thoroughly researched and developed to aid people who are wheelchair-bound. If that is your situation, “LifeStand®” will put you back into the most natural position - standing up.

HEALTH BENEFITS

“LifeStand®” chairs

have been developed with the assistance of highly reputed rehabilitation centres. They are used on a daily basis by doctors, physiotherapists and occupational therapists. LifeStand sets international standards for safety and reliability, and has passed the most stringent tests for rehabilitation equipment (TÜV/GS in Germany, GSA/Veterans Administration in the USA, Handicap Institute of Stockholm in Scandinavia and CE Standard).

Clinical assessments demonstrate that standing is beneficial to health. Optimal benefit is obtained by repeated alternating of the position “seated-standing-seated” over relatively brief periods.

By integrating the “stand-up” function in your chair, you gain independence, and above all you practise standing up naturally, all day long, thus turning a functional re-education exercise into a pleasurable activity.

- Better physical balance and psychological well-being.
- Reduces muscle contracture and spasticity.
- Better muscle tone.
- Reduces bone decalcification and osteoporosis risk.
- Prevents and heals pressure sores.
- Substantially less transfers daily.
- Better kidney and bladder functioning.
- Better blood circulation.
- Eases digestion, improves bowel function, reduces wind.

PRESCRIPTION

IMPORTANT:
This stand-up chair is only sold on medical prescription. Progressive re-education in standing with your physiotherapist is recommended before daily use of the LifeStand LSC.

INDICATIONS

Highly recommended for any person needing to stand up daily.

COUNTER - INDICATIONS

- Orthostatic or heart problems.
- Brittle bones.
- Serious orthopaedic disorders.
- Hip and knee flexure of more than 20°.

CLINICALS

X-rays taken during clinical trials confirm that the “LifeStand®” holds you in an excellent position. The position of the joint is physically correct. This is attributable to the knee supports, in particular, which support the anterior tuberosity of the tibia immediately below the knee joint.



THE LIFESTAND COMPACT LSC RANGE

The LSC, a really compact vertical lifting wheelchair!

The LSCompact uses the retro vertical-lifting patent. The chair, which has been studied down to its finest details, benefits from a smaller footprint in the upright position than in the seated one (identically to the natural position), while retaining excellent stability.

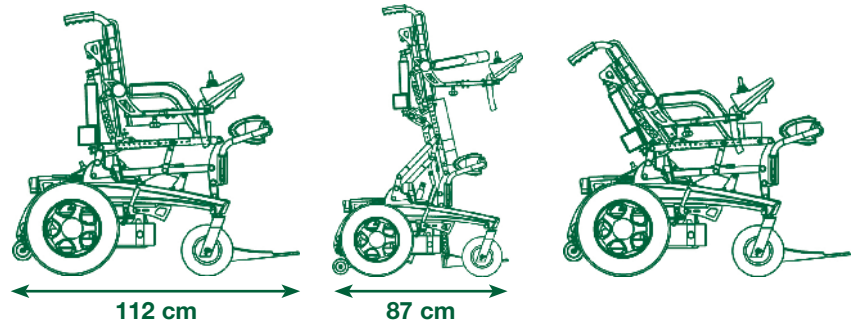
Really ideal for indoor use: bathroom, lift, office and kitchen; a version has also been specially designed to be equally at ease outside, thanks to the power of the motors and the diameter of the front wheels, which facilitate obstacle-crossing.

A new technology: for the first time, an innovative wheelchair with two supporting sides.

LSC Junior

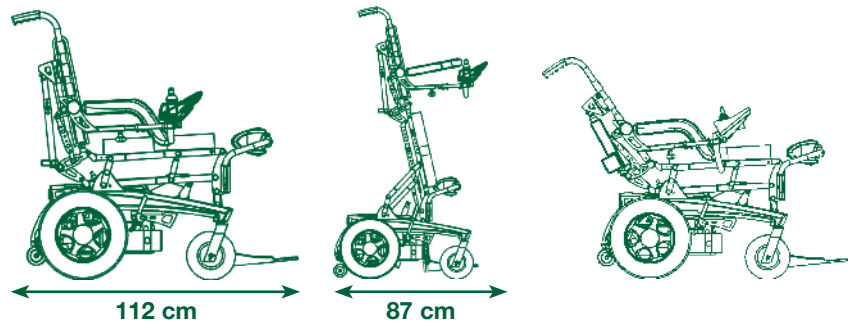
The ideal wheelchair to let your child acquire greater independence.

Children love it **indoors** thanks to its manoeuvrability and small dimensions, but also **outdoors** where it offers very high performance.



LSC Indoors - LSCI

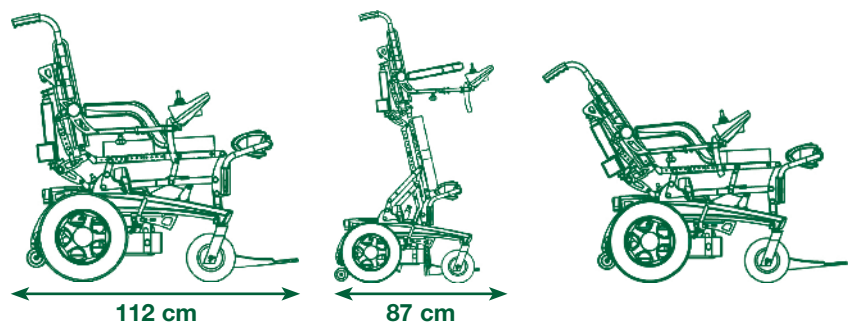
As a wheelchair suited for indoor use, this model is equipped with Dynamic Shark electronics. Its simple but efficient design enables it to be accessible at a competitive price.



LSC Mixed

For indoor and outdoor use.

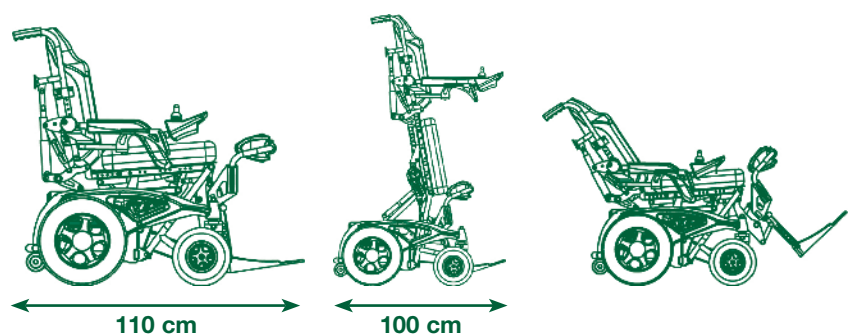
Equipped with Dynamic DX electronics, many additions to the LSC Mixed are possible, immediately or in the future: occipital control, infrared, by chin, etc. Ideal indoors, it is completely suited for outdoors with autonomy of 20 - 25 km. Its road lights allow travel at night.



LSC Outdoors - LSCO

It is equipped with two powerful 300-watt motors, as well as two batteries (65 amp/h each), which gives it autonomy of approximately 40 - 45 km.

The wheels have a larger diameter than on the other models, to facilitate **outdoor travel**. Indoors, its reduced width enables it to move through doorways easily. It is comfortable and comes equipped with electrical leg rests as a standard feature.



FULL ELECTRIC - NEW DE

LSC Mixed model



TAPERED CHASSIS

with a streamlined mechanism combining maximum stability and a compact profile in standing position.



HAND CONTROL

fixed on a swingaway pantograph which can be manoeuvred independently of the armrest.



CENTRALISED FUNCTIONS

on hand control : moving, standing, reclinable backrest, speed control, indicators, headlamps and horn.



ARMREST

Constant armrest angle whatever the backrest slant ; especially practical for tray-table use.
4 functions : chest support, trunk extension through armrest propping, safe standing process, comfortable armrests.



SECURE CENTRAL LOCKING OF KNEE PADS

prevents accidental opening.



CONTOURED TIBIA SUPPORT

with anti decubitus pad.



INDEPENDENT DUAL FOLDAWAY FOOTPLATES

Facilitate transfers, adjustable individually for height and angle.



DRIVES SEATED OR STANDING

SIGN - PATENTS PENDING



WELL POSITIONED
perfect alignment of
hips, knees and ankles.



**ELECTRICAL INCLINABLE
BACK REST**



SEAT AND BACKREST FABRICS
adjustable tautness by Velcro® strip
to provide user comfort.



ADJUSTABLE SEAT
depth (+ / - 14 cm).



AUTONOMY
4 - battery,
with an easy access.



BUMPER OR SHOCK ABSORBERS
for greater comfort during travel
outdoors. (depending on the model)



ANTI - TIP WHEELS
with variable height (engage automatically
during standing-up process). (Except LSCO)



TRANSPORT
front and rear
taxi fasteners.



**STANDARD
LED LIGHTING KIT**
(Except LSCI)



**FOLD
DOWN
BACKREST**



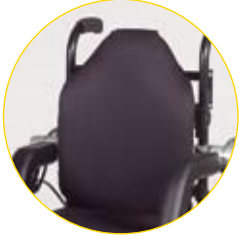
Speed restriction engages in standing mode and reverse gear

OPTIONS AND ACCESSORIES



TRAY TABLE

Stays horizontal, whatever the backrest's tilt angle.



BACKREST BY VARILITE

Foam and air-based Varilite back rests to ensure maximum comfort.
Several back rest heights are offered: 30-40-50, along with several depths.



HEADRESTS BY WHITMYER

A full range of comfortable positioning.



BELTS BY BODYPOINT

A wide choice of belts, support straps and Bodypoint harnesses for better positioning of pelvis, torso, ankles.



PRESSURE-RELIEVING CUSHIONS BY VARILITE

Air-bubble technology combined with high-performance foam - smart cushions for optimal comfort.



RAMPS BY GRORUD AND PORTARAMP

A full range of ramps to ease access,
particularly into vehicles.

**Special orders possible : chin-fit,
occipital, attendant / dual control.
Other adaptations are available
after individual assessment.**



Special kids' version exists too !

TESTIMONIALS

comfortable therapeutic tool

« We are fully satisfied with this trial. The LifeStand® is a comfortable therapeutic tool for both the patient and the physiotherapist ».

**B. and G., Physiotherapists
at the Hospices Civils in Lyon, France**

« Thank you LifeStand®. This was the first time I had stood up for 15 years. Words just cannot express the pleasure I felt in being upright once more ».

David, North Carolina, USA

being upright once more

independent

« This LifeStand® chair makes me really more independent ».

Mr J.G., E.U.

switching

« I like the switching system from armrests to chest support ».

Mrs N.F., E.U.

well constructed and aesthetic

« What I appreciate most on my chair is the comfort, the adjustment possibilities, the standing and the backrest inclination... It's a very good piece of equipment, well thought out, well constructed and aesthetic ».

Mrs R.C., E.U.

« You should have seen the guests' faces when I stood up before the altar on my wedding day ».

Lisa, Illinois, USA

my wedding day

lifts up my spirits

« I needed cushions against pressure sores, at least once a year therapy, nursing care, now I don't need it anymore... The LifeStand® also lifts my spirits ».

Doctor F.G., E.U.

« Congratulations for the functioning of your stand-up mechanism. I am not afraid at all but feel comfortable and well positioned! Thanks for everything! ».

not afraid

Mr J.M., E.U.

gave me so much

« Being able to stand upright meant so much to me ».

Mrs P.N., E.U.

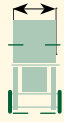









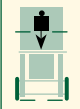




« The LifeStand® offers more comfort and plenty of mobility as well... I really appreciate the ability to stand up! ».

Mrs M.A., E.U.

a certain mobility



SPECIFICATIONS

															
CE	Seat width	Front seat height	Rear wheel diameter	Front wheel diameter	Seat depth	Total length seated	Total length standing	Total width	Backrest height	Total Height (seat back included)	Max. user weight	Weight (batteries included)	Batteries	Autonomy 4 batteries	Motor power
LSC Junior, LSC Indoors LSCI, LSC Mixed															
Child	36	51	3.00/8"	8"	42/56	112	87	67	45/55	105	120	90	4x18	25	2x180
Adult	40	51	3.00/8"	8"	42/56	112	87	67	45/55	105	120	90	4x18	25	2x180
Large	44	51	3.00/8"	8"	42/56	112	87	67	45/55	105	120	90	4x18	25	2x180
Comfort	48	51	3.00/8"	8"	42/56	112	87	67	45/55	105	120	90	4x18	25	2x180
LSC Outdoors - LSCO															
Child	36	49	3.00/8"	2.80-2.50/4"	44/56	110	100	65	45/55	101	120	120	2x65	45	2x300
Adult	40	49	3.00/8"	2.80-2.50/4"	44/56	110	100	65	45/55	101	120	120	2x65	45	2x300
Large	44	49	3.00/8"	2.80-2.50/4"	44/56	110	100	65	45/55	101	120	120	2x65	45	2x300
Comfort	48	49	3.00/8"	2.80-2.50/4"	44/56	110	100	65	45/55	101	120	120	2x65	45	2x300
	cm	cm	pouces	pouces	cm	cm	cm	cm	cm	cm	kg	kg	Ah	km	Watt



Distributed by

The CE label attests compliance of device with annex 1 of ECC directive 93/42 of the European Union.

LifeStand®
 Rond-point de Rosarge - 40, rue Palverne
 F - 01700 LES ECHETS - FRANCE
 Tel : +33 (0)4 37 26 27 28 - Fax : +33 (0)4 37 26 27 29
 www.lifestand.eu - info@lifestand.eu

