



Krabat Jockey



SITTING

Krabat Jockey

Awards

Krabat Jockey is an active children's chair from Krabat. The child is seated on a saddle with his/her legs apart. The spread position for the lower part of the body and the footrests provides a stable position for the pelvis, and reduces the need for upper body support. A saddle sitting position provides many physiological benefits.

The chair gives the child considerable mobility and variation. Krabat Jockey has a compact and modern design that takes up little space and allows it to fit in even where space is limited. The compact design draws attention to the child and not the chair.

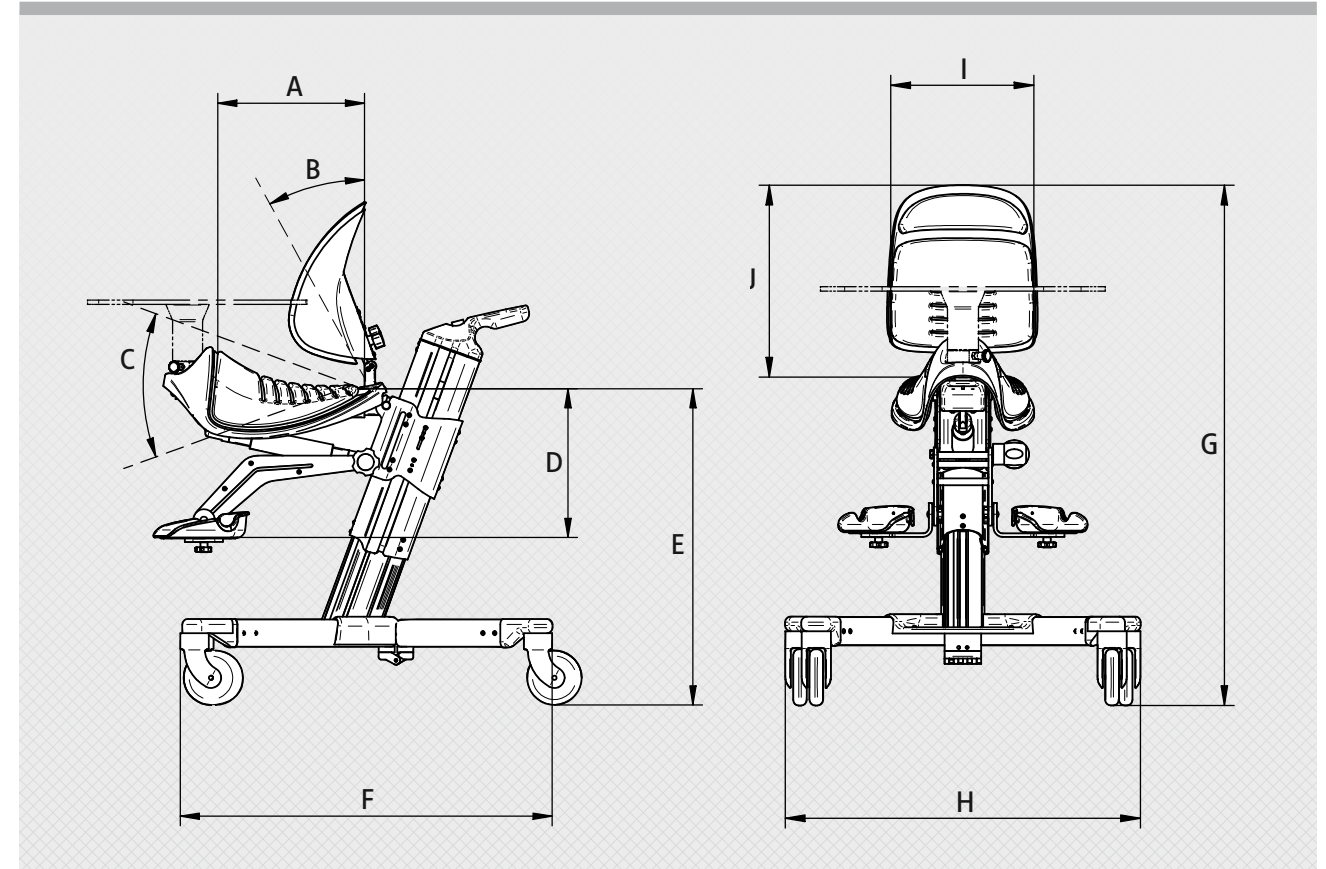
The chair is extremely lightweight and foldable for easy transportation. A separate bag is available as an optional item.



red dot design award



Technical data



MEASUREMENT	DESCRIPTION	SIZE 1	SIZE 2
A	Depth of seat (max)	26 cm	31 cm
B	Angle of backrest	-10 ° to -40 °	-10 ° to -40 °
C	Angle of seat	- 20 ° to + 20 °	-20 ° to + 20 °
D	Distance from seat to footrest	From 15 cm to 40 cm	From 25 cm to 50 cm
E	Height of seat	39 cm to 79 cm	40 cm to 80 cm
F	Total length when in use / folded	68 cm / 65 cm	98 cm / 83 cm
G	Total height when in use / folded	112 cm / 63 cm	121 cm / 72 cm
H	Total width when in use / folded	63 cm / 63 cm	66 cm / 66 cm
I	Width of backrest	25 cm	32 cm
J	Height of backrest	35 cm to 38 cm	40 cm to 43 cm
	Weight, manual / electric	12.2 kg / 13.9 kg	15.0 kg / 16.7 kg
	Age	Approx. 2-7 years	Approx. 7-14 years
	Max. weight of user, manual / electric	65 kg / 50 kg	65 kg / 50 kg

Product variations



Size 1 Manual elevation/lowering



Size 1 Electric elevation/lowering



Size 2 Manual elevation/lowering



Size 2 Electric elevation/lowering

Product description

Krabat Jockey is height adjustable and can be adjusted from floor level up to a height that exceeds a normal kitchen worktop. Height adjustments are easily operated by pressing a button that is integrated in the handle. This replaces the traditional levers and push handles. The chair is easy to operate even for inexperienced assistants.

Krabat Jockey is also available with electric elevation and lowering mechanisms. Movement is controlled with a simple remote control. The battery is rechargeable, and when fully charged it will last for many days of regular use. Krabat Jockey with an electric elevation and lowering mechanism is only marginally heavier than the manual Krabat Jockey, and it has the same elegant appearance. Krabat can convert a manual Krabat Jockey chair into one that facilitates electric elevation and lowering.

The seat is designed to prevent the pelvis of spastic children moving forwards. The top of the seat prevents the thighs from being trapped underneath the table. The seat has an integrated cup holder, doubling as a mounting base for a table (optional equipment). The saddle seat is detachable, and a larger seat can easily be fitted on the same undercarriage as the child grows.

The chair is available in black and white (size 1 only), while the textiles are available in many different colors. A complete color chart is available at www.krabat.com. The textile materials are durable and machine washable. Stains can easily be removed with a wet cloth.

Krabat Jockey is suitable for children with a variety of diagnoses and has many possibilities for adaptation. The chair is available in two sizes, which combined cover the requirements of children from the age of 2-14 years. The angle of the seat and backrest, and height and position of the footrests, can easily be adjusted without using tools to find the optimum sitting position. All angles and positions can be set infinitely. Each footrest can be adjusted individually. Textiles, footrests with straps and hip belt is standard accessories on size 1. Size 2 is standard equipped with textiles and hip belt. A chest harness, waistcoats, footrest-in-one, ankle cuffs, and a table and bag are available as optional equipment.

The back rests and seats of the two chair sizes can easily be replaced, for example, it is possible to have a large seat with a small back rest, etc. For exact measurements and options, please see the measurement chart. To fully benefit from the chair, the child should have some stability in the upper body, however independent sitting function is not necessary.

Krabat Jockey is a chair for activities and social participation and should be used accordingly.

Equipment



Neoprene harness

Butterfly harness



Electric elevation/lowering



Easy folding and transportation



Footrest-in-one with ankle cuffs

Adjustable table

Height adjustment



Exceeds a kitchen worktop



Physiological benefits

Krabat Jockey provides the child with a balanced and safe sitting position with dynamic postural control which enables the child to move freely.

The sitting position gives optimal joint stability and comfort. The two articular surfaces in the hip joint have maximum contact in the sitting position.

The sitting position can prevent complications such as muscle contractures, hip pain and subluxations may be prevented.

All major joints in the lower extremities become centered, which promotes normal muscle tone and muscle length. This is particularly important for the adductors, which are often tight in children with spasticity.

The back can work actively in its natural curvature. The saddle seat can be adjusted to allow the pelvis to be placed/tilted in the correct position, giving the child's back optimum working conditions.

The saddle seat enhance an active seating position rather than a passive.



Floor level

Size 1



Black chair / Red seat



Black chair / Sand seat



Black chair / Pink seat



Black chair / Blue seat



Black chair / Black seat



White chair / Red seat



White chair / Sand seat



White chair / Pink seat



White chair / Blue seat



White chair / Black seat

Size 2



Black chair / Red seat



Black chair / Sand seat



Black chair / Pink seat



Black chair / Blue seat



Black chair / Black seat

Folding and transportation



The chair is lightweight and foldable. A separate bag is available as an optional item for easy transportation

Item numbers

KRABAT ITEM NO	DESCRIPTION
300-1001	Krabat Jockey size 1, complete
300-5000	Krabat Jockey size 1, complete with electric elevation/lowering
300-4000	Krabat Jockey size 2, without footsupport
300-5001	Krabat Jockey size 2, without footsupport, with electric elevation/lowering
300-1003	Ankle cuff, Krabat Jockey size 1
300-1004	Ankle cuff, Krabat Jockey size 2
300-2020	Backrest handle Krabat Jockey
300-1015	Bag Krabat Jockey, size 1
300-4260	Bag Krabat Jockey, size 2
300-2013	Battery Krabat Jockey
300-2014	Charger Krabat Jockey
300-1034	Chest support
300-2004	Complete backrest Krabat Jockey, size 1
300-2005	Complete backrest Krabat Jockey, size 2, rb32 rh40-43
300-4100	Complete footrest base plate Krabat Jockey, size 2
300-2006	Complete seat Krabat Jockey, size 1
300-2007	Complete seat Krabat Jockey, size 2, sb 26
300-5010	Conversion to electric elevation/lowering Krabat Jockey
300-2008	Cover Krabat Jockey
300-1056	Cushion backrest Krabat Jockey, size 1, black
300-1057	Cushion backrest Krabat Jockey, size 1, blue
300-1062	Cushion backrest Krabat Jockey, size 1, pink
300-1061	Cushion backrest Krabat Jockey, size 1, red
300-1060	Cushion backrest Krabat Jockey, size 1, sand
300-1049	Cushion backrest Krabat Jockey, size 2, black
300-1050	Cushion backrest Krabat Jockey, size 2, blue
300-1055	Cushion backrest Krabat Jockey, size 2, pink
300-1054	Cushion backrest Krabat Jockey, size 2, red
300-1053	Cushion backrest Krabat Jockey, size 2, sand
300-1042	Cushion seat Krabat Jockey, size 2, black
300-1035	Cushion seat Krabat Jockey, size 1, black
300-1036	Cushion seat Krabat Jockey, size 1, blue
300-1041	Cushion seat Krabat Jockey, size 1, pink
300-1040	Cushion seat Krabat Jockey, size 1, red
300-1039	Cushion seat Krabat Jockey, size 1, sand
300-1043	Cushion seat Krabat Jockey, size 2, blue
300-1048	Cushion seat Krabat Jockey, size 2, pink
300-1047	Cushion seat Krabat Jockey, size 2, red
300-1046	Cushion seat Krabat Jockey, size 2, sand
300-2011	Extender Krabat Jockey
300-1064	Extra upholstery seat Krabat Jockey
300-2016	Foot slideways Krabat Jockey, size 1
300-2017	Foot slideways Krabat Jockey, size 2
300-1024	Footrest Base Plate Krabat Jockey
300-2018	Handle M5 Krabat Jockey
300-2019	Handle M6 Krabat Jockey
300-2009	Hinge Krabat Jockey
300-1032	Hip belt Krabat Jockey, Large
300-1031	Hip belt Krabat Jockey, Medium
300-1030	Hip belt Krabat Jockey, Small
300-2015	Individual footrest Krabat Jockey
300-1017	Neoprene waistcoat Krabat Jockey, size 1
300-1021	Neoprene waistcoat Krabat Jockey, size 2
300-1063	Positioning pillow Krabat Jockey
300-2012	Remote Krabat Jockey
300-2029	Strap footrest Krabat Jockey
300-1066	Support handle Krabat Jockey
300-1020	Table Krabat Jockey complete
300-2003	Tube rear undercarriage Krabat Jockey
300-2001	Undercarriage manual Krabat Jockey
300-1016	Waistcoat Krabat Jockey, size 1
300-2010	Wheel holder complete Krabat Jockey